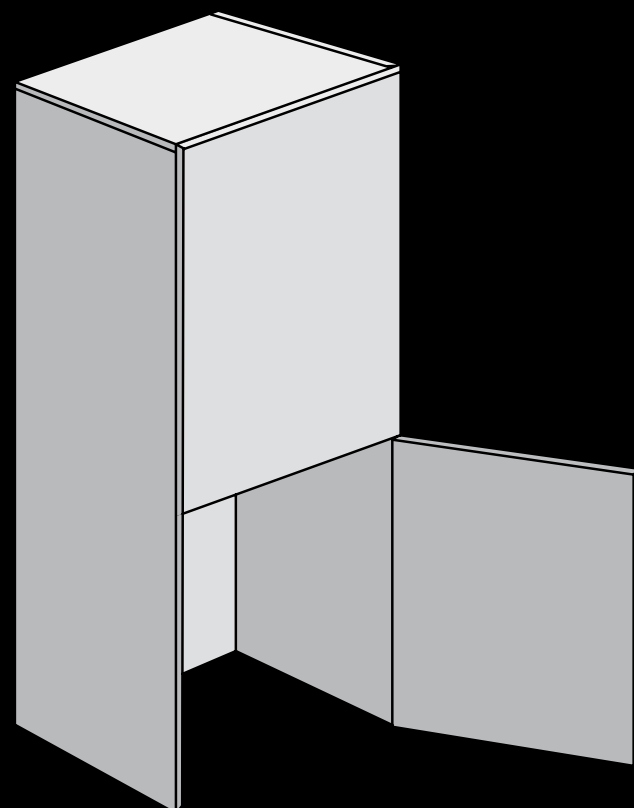


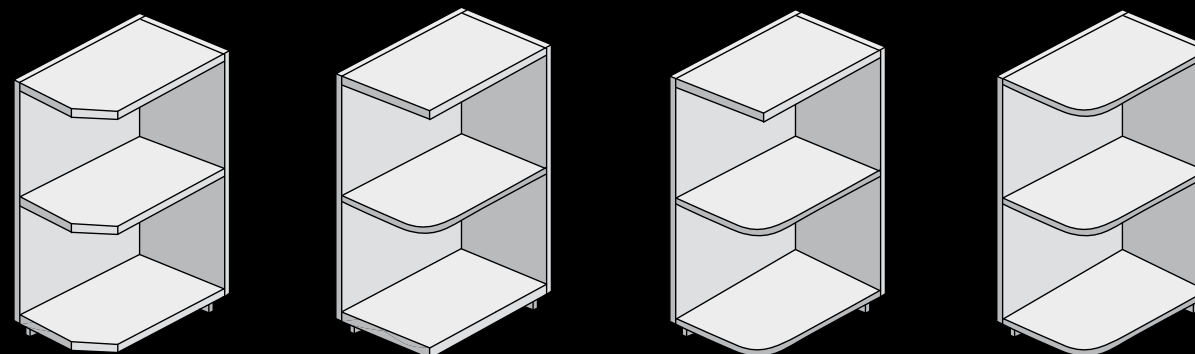
COUNTERTOP
APPLIANCE
CABINET

Custom cabinet



BASE OPEN END

*Custom size base
open end cabinet*



Fabuwood can create appliance cabinets with options.

*No Bottom Floors

*Appliance lit up door

Doors can be used from stock, from another cabinet that will fit new size, custom doors, or no door.

Note: Customer must provide drawing.

Create a custom size base open end cabinet.

The shelves can be done as-square, clipped or round.

Note: Customer must provide drawing.

Customer will also need to specify type of toe kick; square or clipped.