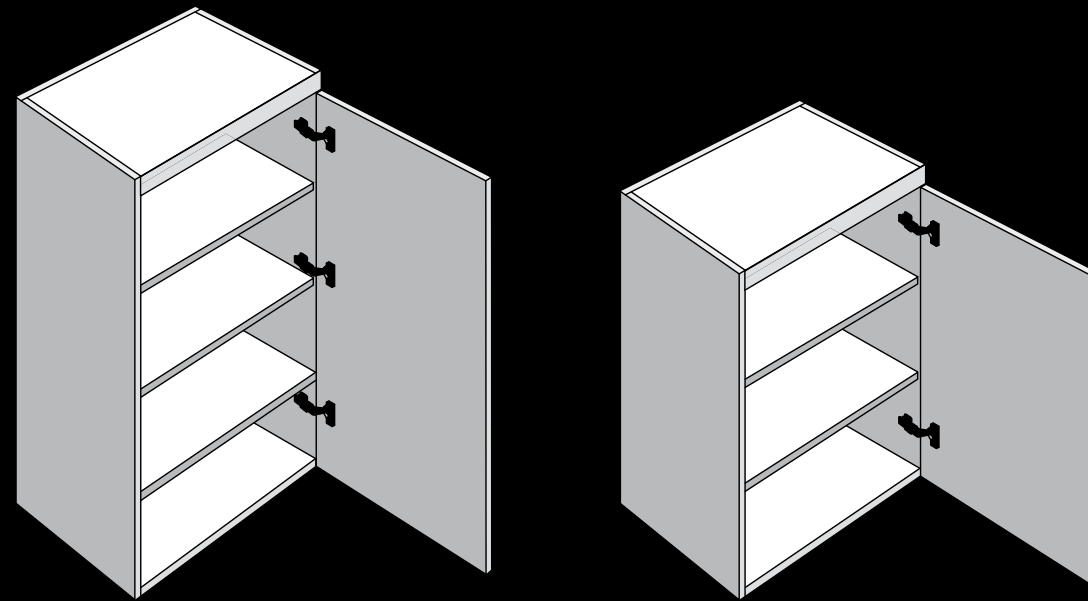


CUT-HEIGHT OF  
WALL CABINET

*Reduce height  
of wall cabinet*

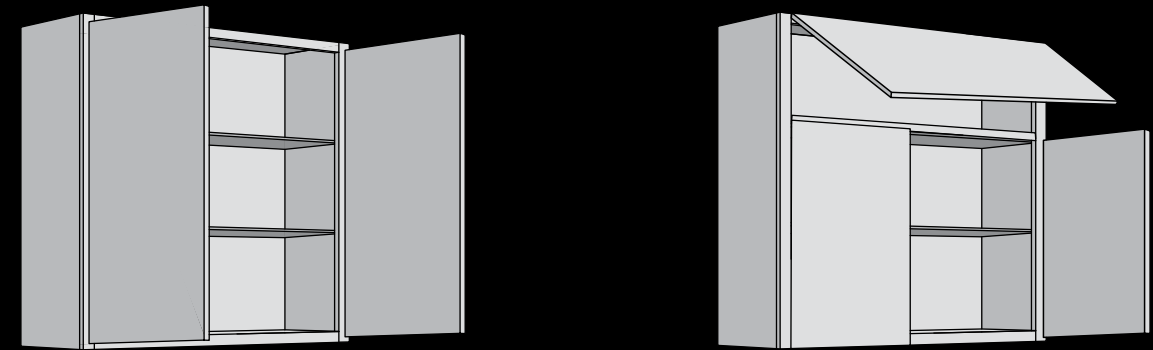


BEFORE → AFTER

Fabuwood can customize the height of a wall cabinet. Doors can either be used from another stock cabinet to fit the new size, doors can be made custom, or customer may choose to feature no door.

LIFT-UP FLAP

*Double door with  
top door lift up*



BEFORE → AFTER

Fabuwood can create a 1 pc unit, with a double door on the bottom. A fixed shelf is inserted with center filler, and a lift up door is installed on top.

Note: BLUM LIFT UP HINGES HK-XS available for an extra charge.