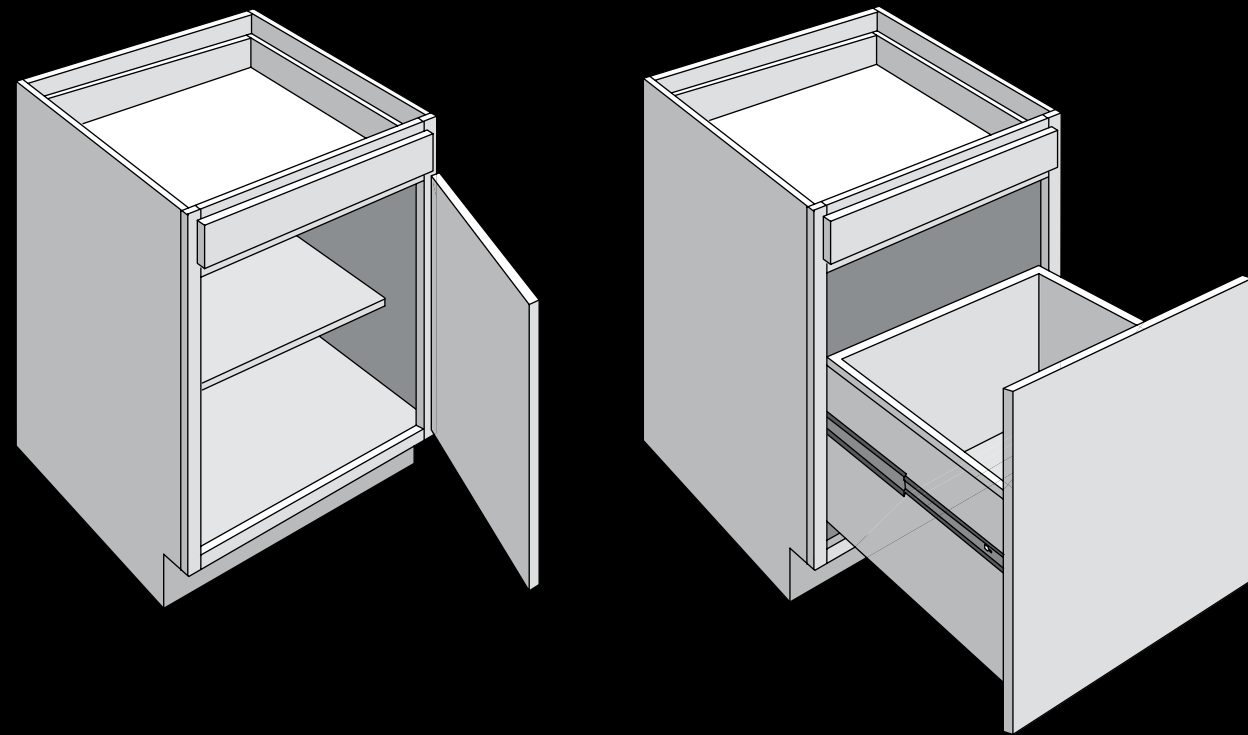


H A M P E R

Install door mounted pull out wood hamper in cabinet



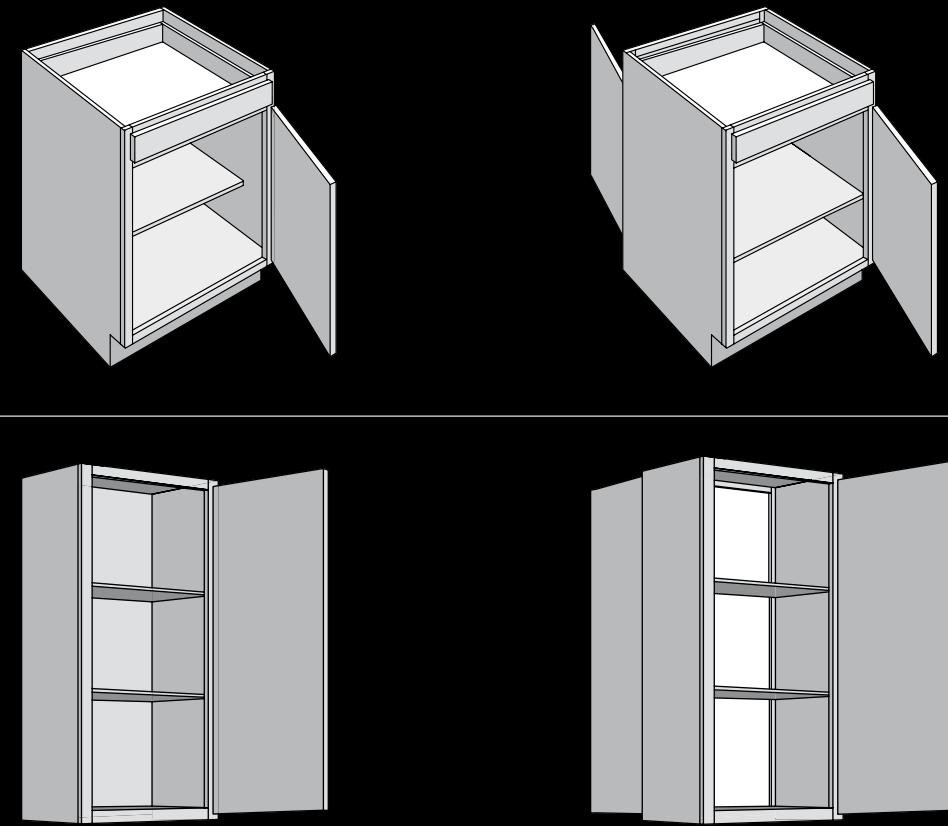
BEFORE

AFTER

P E N I N S U L A -
C A B I N E T

Create a peninsula cabinet from two cabinets (cabinets not included)

B A S E P E N I N S U L A
W A L L P E N I N S U L A



BEFORE

AFTER

To create a hamper cabinet from a base cabinet, a door-mounted wood hamper is attached using side-mounted ball-bearing slides. Hamper is 18" high.

A peninsula cabinet can be created from two wall cabinets or two standard base cabinets. Fabuwood will create a peninsula to any cabinets as long the peninsula side frame is the same size. on the peninsula side if it's a full height door there will be a 7" apron to cover the drawer box..

Note: For a no door wall cabinet peninsula, wood shelves will be provided instead of glass shelves.