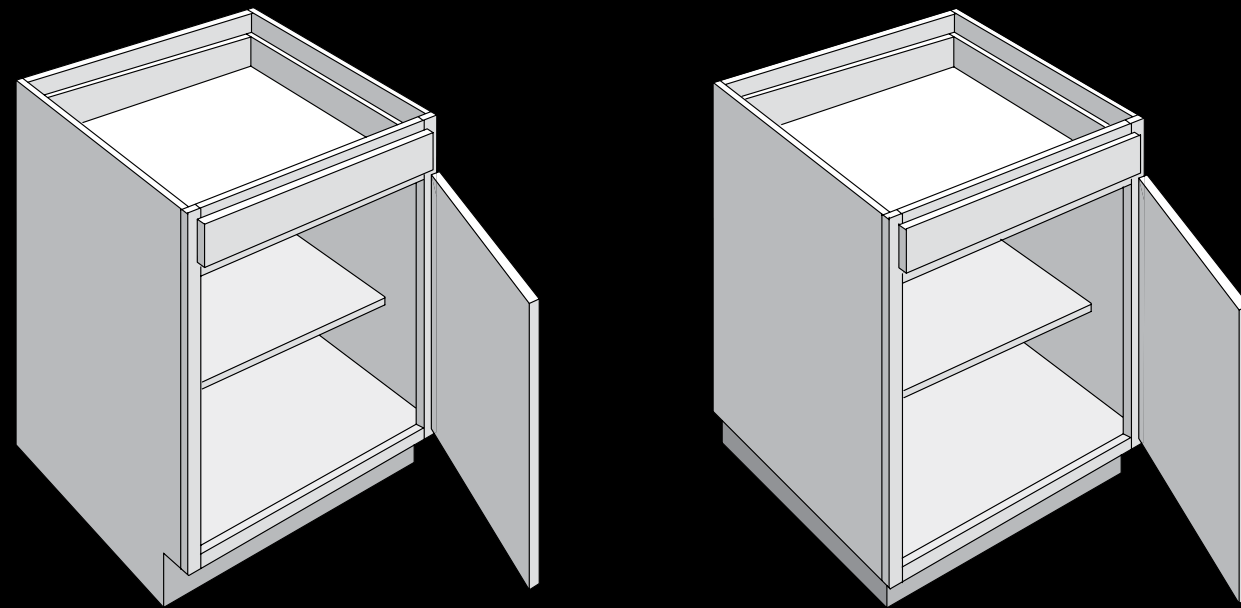


R E C E S S - T K

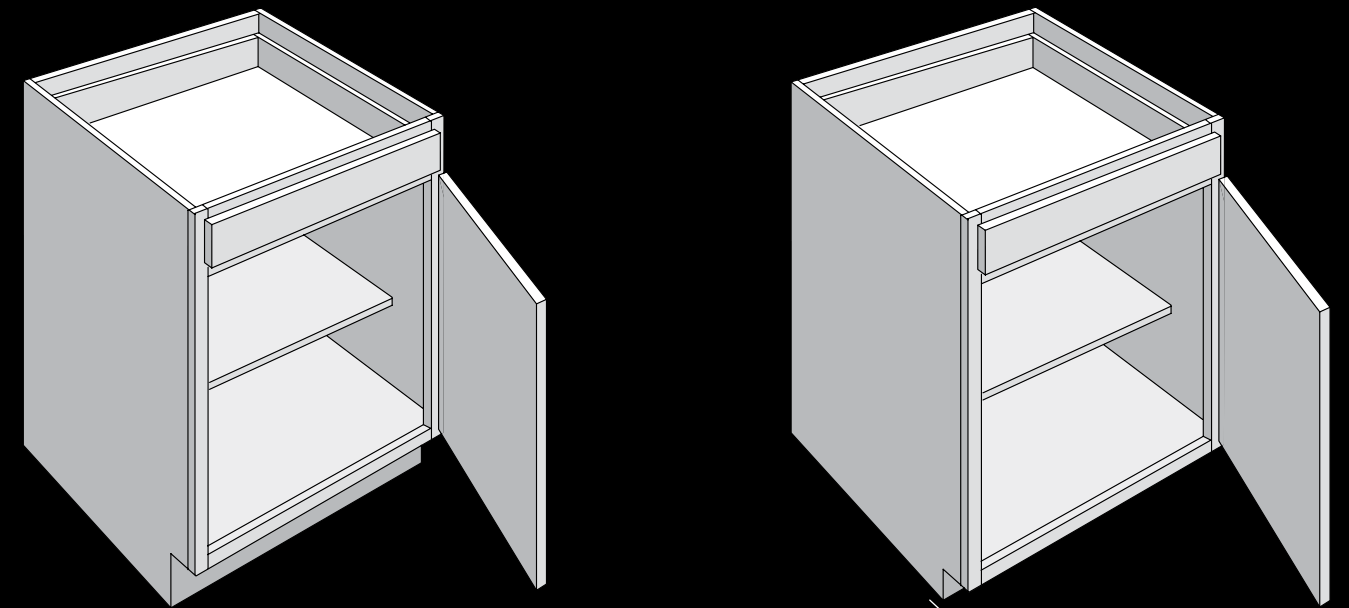
*Recess toe-kick of base cabinet  
(customer must provide drawing)*

C U T - T K

*Reduce toe kick  
height (no min.)*



B E F O R E → A F T E R



B E F O R E → A F T E R

Recess the right, left or back toe-kick of a base cabinet. The customer needs to specify which side toe-kick he would like to have modified; right, left, or both.

Fabuwood can reduce the height of the toe kick to customer specifications or remove the toe kick entirely.